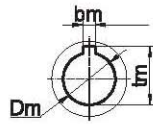
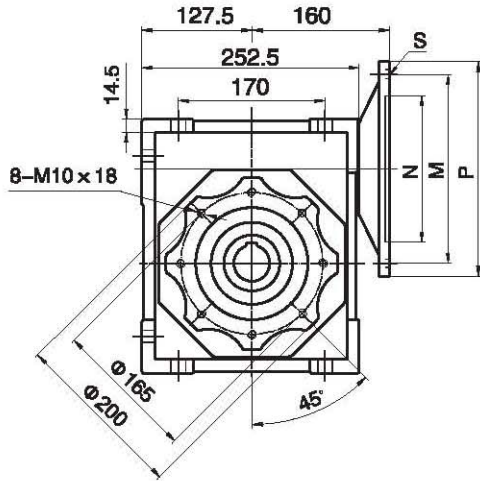


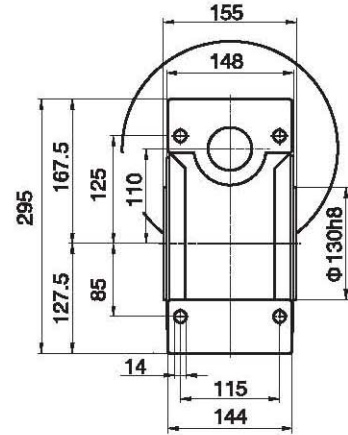
Dimensions

# NMRV

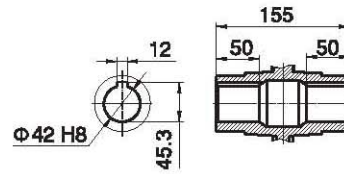
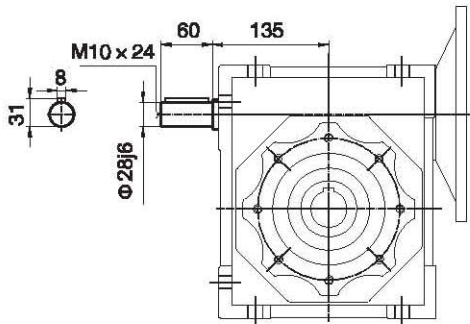
110



Input bore



# NMRV.VS



Output bore

PAM-IEC	N (H8)	M	P	bm	tm	S	Dm(H7)												
							5	7.5	10	15	20	25	30	40	50	60	80	100	Depth
132B5	Φ230	Φ265	Φ300	10	41.3	Φ15	-	38*	38*	38*	38*	-	-	-	-	-	-	-	80
100/112B5	Φ180	Φ215	Φ250	8	31.3	Φ15	-	28	28	28	28	28	28	28	28	28	-	-	60
90B5	Φ130	Φ165	Φ200	8	27.3	Φ11	-	-	-	-	-	24	24	24	24	24	24	24	50
80B5	Φ130	Φ165	Φ200	8	21.8	Φ11	-	-	-	-	-	-	-	-	-	-	19	19	40

Weight:40kg

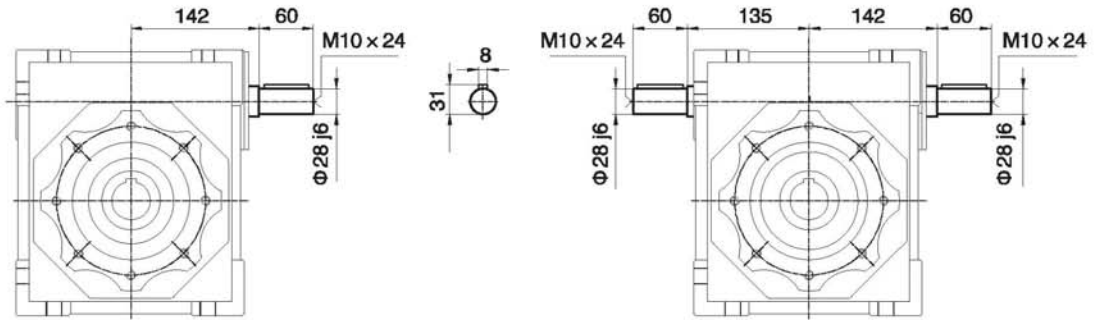
Note:(\*)Low profile key supplied by haitec.

Dimensions

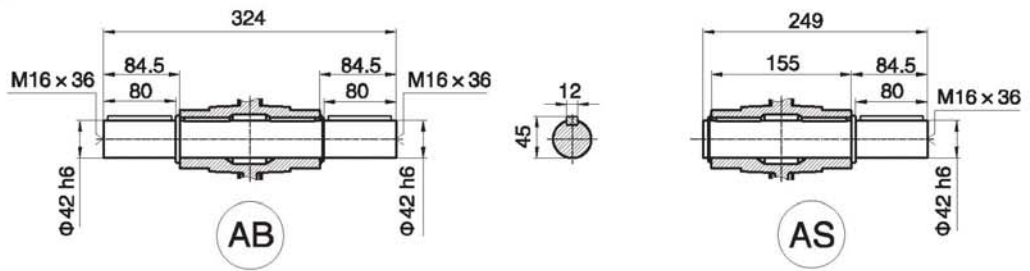
NRV

110

NRV.VS



Output shaft



Output flange

