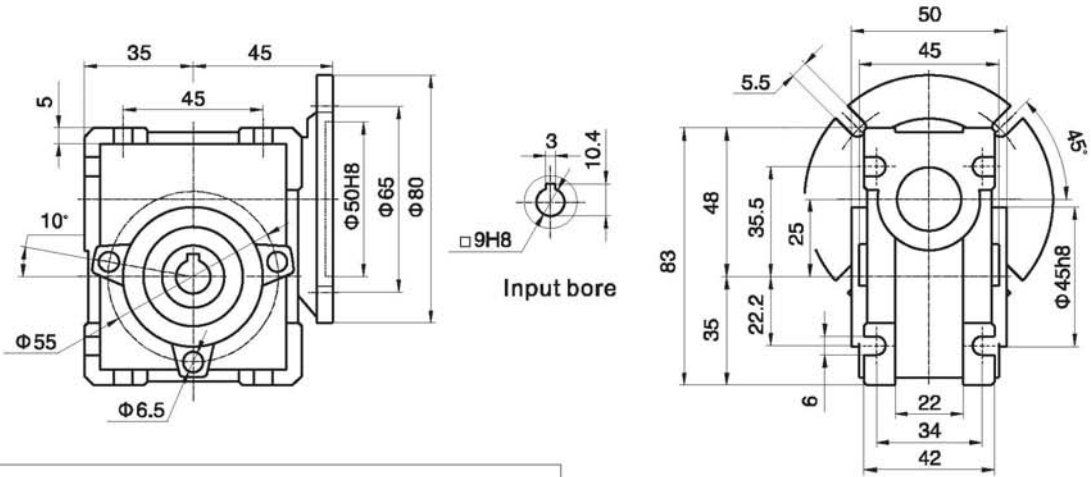


3.2 Boundary dimension and output size

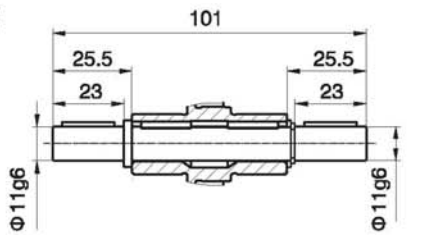
NMRV

025

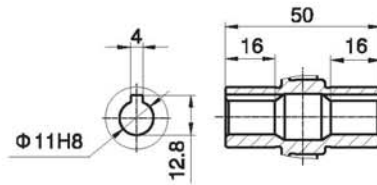
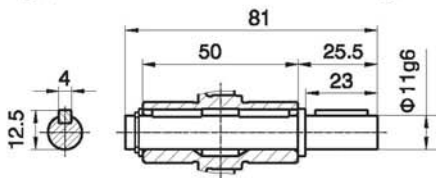


Output shaft

AB

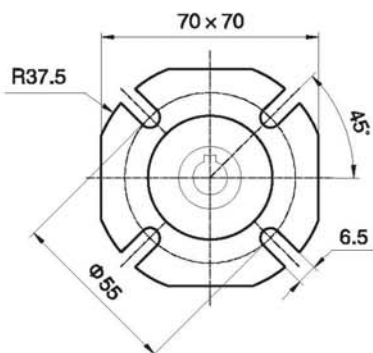


AS

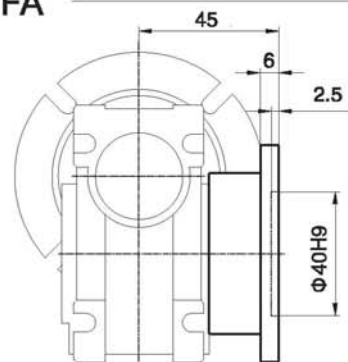


Output bore

Output flange



FA



Weight:0.7kg